



Addendum No. 1

City of Coquitlam
Tender 87413

Johnson/Glen & Lincoln/Pipeline PRVs

Issue Date: October 31, 2023
(Consists of 4 Pages)

Tenderers shall note the following amendments to the **CONTRACT DOCUMENT** as follows:

1. Refer to: **INVITATION TO TENDER, INSTRUCTIONS TO TENDERERS, FORM OF TENDER**

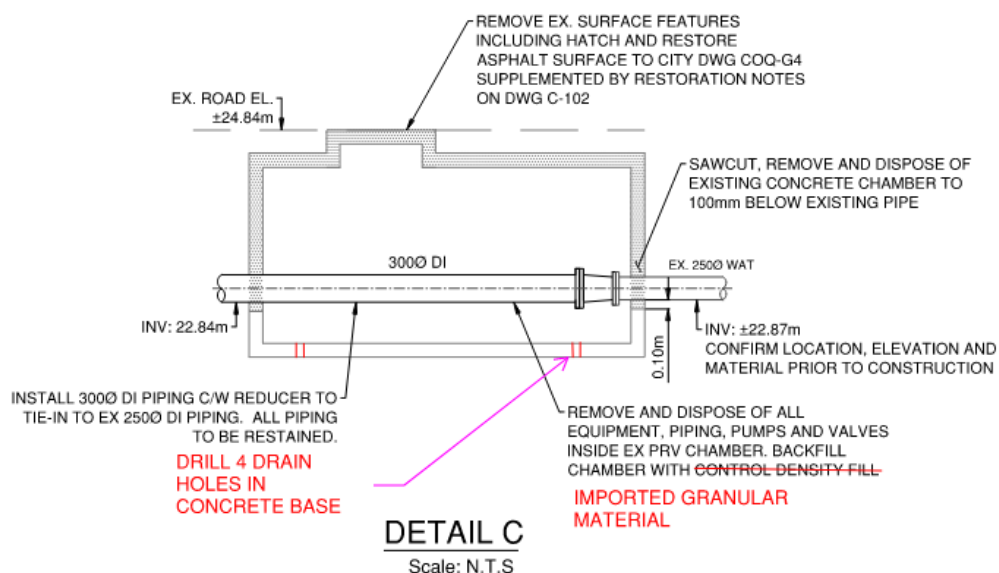
DELETE: ~~Tender Closing Date: November 2, 2023~~
REPLACE WITH: **Tender Closing Date: November 9, 2023**

2. Refer to: **FORM OF TENDER – Appendix 1 – Schedule of Quantities and Prices**

DELETE: ~~Appendix 1 – Schedule of Quantities and Prices~~
REPLACE WITH: **Revised - Appendix 1 – Revision No.1**

3. Refer to: **APPENDIX B – CONTRACT DRAWINGS**

REPLACE DETAIL ON JOHNSON AND GLEN PRV STATION, WATERMAIN PLAN AND PROFILE, SHEET C101. Detail applicable for decommissioning and removal of Johnson/Glen and Lincoln/Pipeline PRVs.



4. Refer to: APPENDIX C – PROJECT SUPPLEMENTARY SPECIFICATIONS

REPLACE: SECTION 01 20 00S, PAGE PS 8, ITEM 4.14, SECOND PARAGRAPH
WITH: Payment by allowance to decommission/abandon existing PRV chamber will include all labour, materials and equipment necessary to complete the work as shown on the Contract Drawings or as directed by the Contract Administrator.

Payment shall be made for the actual cost to complete the work on a force account basis as defined in GC 10.0.

CONTRACTOR QUESTIONS & CLARIFICATIONS:

Q1) What size, make, model and flange to flange dimensions are the existing flow meters?

A1) Johnson/Glen existing flow meter is 250mm diameter Siemens SITRANS FM MAG 3100W.
Lincoln/Pipeline existing flow meter is 200mm diameter Siemens SITRANS FM MAG 3100W.
F-F dimensions should be confirmed with supplier and verified in field during creation of shop drawings.

Q2) Will Cla-Valve be an accepted PRV manufacturer?

A2) Yes, but it must be fitted with Singer pilots.

Q3) Drawing Sheet 5 of 14 (E010 – Johnson and Glen) I/O for these are missing from PLC...HS-002, FS-002.

A3) Hatch Switch (HS-002) and Float Switch (FS-002) are not required and associated electrical wiring should be removed from Johnson and Glen PRV Station scope of work.

Q4) Will water bypasses be necessary?

A4) Both sites can be isolated without service outages, no bypass required.

Q5) Do abandoned pipes need to be filled with CDF?

A5) No, capping will be sufficient.

End of Addendum No. 1

Tenderers shall take into account the content of this Addendum in the preparation and submission of the Tender which will form part of the contract and should be acknowledged on the Tender form where indicated.

Upon submitting a Tender, Tenderers will be deemed to have received all addenda and considered the information for inclusion in the Tender submitted.

Issued by:

M. Pain
Purchasing Manager
Email: bid@coquitlam.ca

Revised - Appendix 1 - Revision No. 1
FORM OF TENDER

Contract 87413
Johnson/Glen & Lincoln/Pipeline PRVs

SCHEDULE OF QUANTITIES AND PRICES

(see paragraph 5.3.1 of the Instruction to Tenderers)

(All prices and quotations including the Contract Prices shall Exclude GST)

(Should there be any discrepancy in the information provided, the City's original file copy shall prevail)

ITEM NO.	MMCD Ref./ (Supp. Spec) <Appendix C>	DESCRIPTION	UNIT	QUANTITY	UNIT PRICE	EXTENDED AMOUNT
1.00	Div 1	GENERAL REQUIREMENTS				
1.01	01 45 00 (1.9)	Quality Control Testing	INCIDENTAL		INCIDENTAL	
1.02	01 55 00S	Traffic Control, Vehicle Access and Parking	INCIDENTAL		INCIDENTAL	
1.03	01 57 01 (1.6.1)	Environmental Protection	INCIDENTAL		INCIDENTAL	
1.04	01 58 01S (1.3.1)	Construction Information Signs	ea.	4		
1.05	01 58 01S (1.3.2)	Changeable Message Sign (x2 Johnson and Glen only)	Week	2		
Johnson and Glen PRV						
2.00	26 00 00	ELECTRICAL				
2.01	01 20 00S <2.01>	Electrical Kiosk and Associated Equipment	LS	1		
2.02	01 20 00S <2.02>	PRV Chamber Electrical	LS	1		
2.03	01 20 00S <2.03>	Flow Meter Chamber Electrical	LS	1		
2.04	01 20 00S <2.04>	BC Hydro Connection	LS	1		
3.00	31 23 01	EXCAVATION, TRENCHING AND BACKFILL				
3.01	(1.10.3)	Over Excavation (Provisional)	cu.m	10		
3.02	(1.10.9)	Disposal of contaminated material (Organics) (Provisional)	t	70		
4.00	33 11 01	WATERWORKS				
4.01	(1.8.2)	250 mm Class 50 DI Watermain c/w Imported Trench Backfill	l.m	20		
4.02	(1.8.2)	300 mm Class 50 DI Watermain c/w Imported Trench Backfill	l.m	5		
4.03	(1.8.3.1)	250 mm Gate Valve	ea.	3		
4.04	(1.8.3.1)	250 mm 22.5 deg Bend	ea.	2		
4.05	(1.8.3.1)	250 mm 45 deg Bend	ea.	2		
4.06	(1.8.3.1)	250 mm 90 deg Bend	ea.	2		
4.07	(1.8.3.1)	300 mm 45 deg Bend	ea.	2		
4.08	(1.8.3.1)	300 mm 90 deg Bend	ea.	1		
4.09	(1.8.3.1)	300 mm x 250 mm Reducer	ea.	1		
4.10	(1.8.5)	Test Points, air-release piping and valves	LS	1		
4.11	(1.8.13)	North tie-in including capping (250 mm)	ea.	1		
4.12	(1.8.13)	South tie-in including capping (150 mm)	ea.	1		
4.13	01 20 00S <4.14>	Decommission/Abandon Existing PRV Chamber	Allowance	1	\$10,000.00	\$10,000.00
5.00	33 12 30	PACKAGED PRV STATION				
5.01	01 20 00S <5.01>	Supply and Install of Packaged PRV Station (including excavation, backfill, testing and commissioning and all items on M-101 bill of quantities)	LS	1		
6.00	33 40 01S	STORM SEWERS				
6.01	(1.6.1)	40mm SDR 26 or SDR 21 PVC Force Main c/w Imported Trench Backfill	LS	1		
Lincoln and Pipeline PRV						
7.00	26 00 00	ELECTRICAL				
7.01	01 20 00S <7.01>	Electrical Kiosk and Associated Equipment	LS	1		
7.02	01 20 00S <7.02>	PRV Chamber Electrical	LS	1		
7.03	01 20 00S <7.03>	Flow Meter Chamber Electrical	LS	1		
7.04	01 20 00S <7.04>	BC Hydro Connection	LS	1		
7.05	01 20 00S <7.05>	Utility Relocations and Coordination with 3rd Party Utilities	LS	1		
8.00	31 23 01	EXCAVATION, TRENCHING AND BACKFILL				

ITEM NO.	MMCD Ref./ (Supp. Spec) <Appendix C>	DESCRIPTION	UNIT	QUANTITY	UNIT PRICE	EXTENDED AMOUNT
8.01	(1.10.3)	Over Excavation (Provisional)	cu.m	10		
9.00	33 11 01	WATERWORKS				
9.01	(1.8.2)	250 mm Class 50 DI Watermain c/w Imported Trench Backfill	l.m	20		
9.02	(1.8.2)	300 mm Class 50 DI Watermain c/w Imported Trench Backfill	l.m	18		
9.03	(1.8.3.1)	300 mm Gate Valve	ea.	3		
9.04	(1.8.3.1)	250 mm 90 deg Bend	ea.	2		
9.05	(1.8.3.1)	300 mm 45 deg Bend	ea.	8		
9.06	(1.8.3.1)	300 mm 22 deg Bend	ea.	4		
9.07	(1.8.3.1)	300 mm 11.25 deg Bend	ea.	1		
9.08	(1.8.3.1)	300 mm x 300 mm x 300mm Tee	ea.	1		
9.09	(1.8.3.1)	300 mm x 250 mm Reducer	ea.	3		
9.10	(1.8.5)	Test Points, air-release piping and valves	LS	1		
9.11	(1.8.13)	East Watermain tie-in	ea.	1		
9.12	(1.8.13)	West Watermain tie-in	ea.	1		
9.13	01 20 005 <9.13>	Decommission/Abandon Existing PRV Chamber	LS	1		
10.00	33 12 30	PACKAGED PRV STATION				
10.01	01 20 005 <10.01>	Supply and Install of Packaged PRV Station (including excavation, backfill, testing and commissioning and and all items on M-101 bill of quantities)	LS	1		
11.00	33 40 015	STORM SEWERS				
11.01	(1.6.1)	40mm SDR 26 or SDR 21 PVC Force Main c/w Imported Trench Backfil	LS	1		

Total Tendered Price (exclude GST): _____
 (Transfer the amount to Form of Tender Summary Page 1)

Name of Contractor: _____