

CITY OF COQUITLAM

3000 GUILDFORD WAY, COQUITLAM, BC V3B 7N2

2026 PRV REHABILITATION

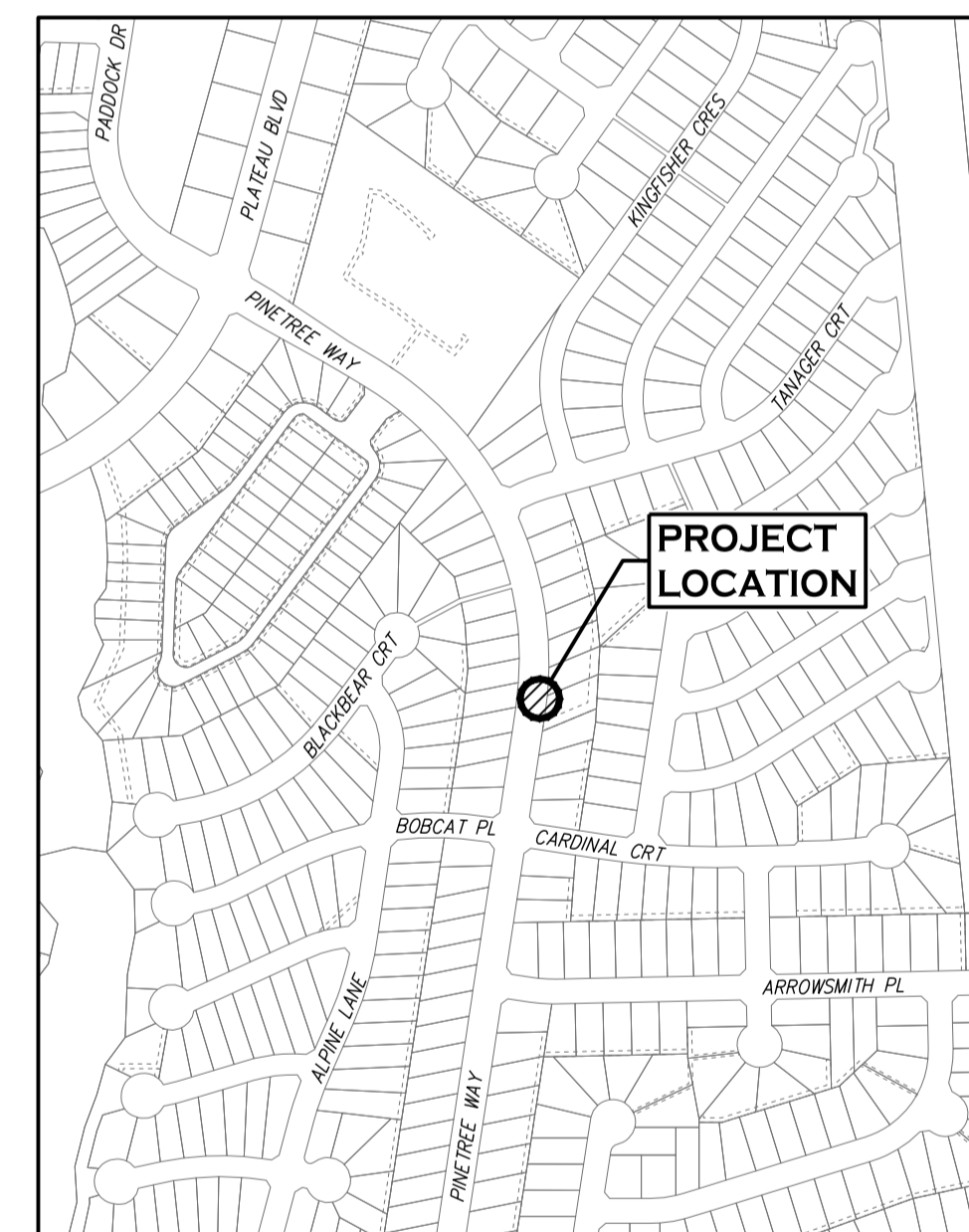
ISSUED FOR TENDER

LEGEND		
EXISTING	PROPOSED	DESCRIPTION
--- IPF ---		IRON PROPERTY PIN
[Hatched Box]	[Hatched Box]	BUILDING
[Hatched Line]	[Hatched Line]	EDGE OF PAVEMENT
[Hatched Line]	[Hatched Line]	CURB & GUTTER
[Hatched Line]	[Hatched Line]	TRUCK ROUTE
---S---S---	---S---S---	SANITARY SEWER
[Circle with S]	[Circle with S]	SANITARY CONNECTION & INSPECTION CHAMBER
---D---D---	---D---D---	STORM SEWER
[Circle with D]	[Circle with D]	STORM CONNECTION & INSPECTION CHAMBER
---	---	STORM SEWER SERVICE
---FD---	---FD---	FRENCH DRAIN
---CO---D---	---CO---D---	STORM SEWER & CLEANOUT
[Square]	[Square]	CATCH BASIN - TOP INLET & SIDE INLET
[Circle]	[Circle]	LAWN DRAIN
[Circle]	[Circle]	CATCH BASIN MANHOLE
[Wavy Line]	[Wavy Line]	SWALE
[Dashed Line]	[Dashed Line]	DITCH
[Hatched Area]	[Hatched Area]	SIDEWALK (ASPHALT)
[Hatched Area]	[Hatched Area]	SIDEWALK (CONCRETE)
---	---	RETAINING WALL
---W---	---W---	WATERMAIN
---W--- ---	---W--- ---	WATER SERVICE CONNECTION
---W--- ---	---W--- ---	WATER VALVE
---W--- ---	---W--- ---	AIR VALVE
[Symbol]	[Symbol]	HYDRANT & VALVE ASSEMBLY
[Symbol]	[Symbol]	YARD HYDRANT
---W--- ---	---W--- ---	CAPPED END
---W--- ---	---W--- ---	WATER METER
---	---	BLOW-OFF
---T---T---	---T---T---	UNDERGROUND TELEPHONE & MANHOLE
---E---E---	---E---E---	UNDERGROUND ELECTRICAL & MANHOLE
---G---G---	---G---G---	GASMAIN
---L---L---	---L---L---	TRAFFIC SIGNAL & ST LIGHT U/G DUCTS
[Symbol]	[Symbol]	ORNAMENTAL ST LIGHT - DAVIT
[Symbol]	[Symbol]	ORNAMENTAL ST LIGHT - POST TOP
[Symbol]	[Symbol]	UTILITY POLE
[Symbol]	[Symbol]	UTILITY POLE W/ LIGHT
[Symbol]	[Symbol]	JUNCTION BOX
[Symbol]	[Symbol]	GROUND ELEVATION
[Symbol]	[Symbol]	DIRECTION OF OVERLAND FLOW



SITE MAP - FALCON DR PRV

SCALE 1:5000



SITE MAP - PINETREE WAY PRV

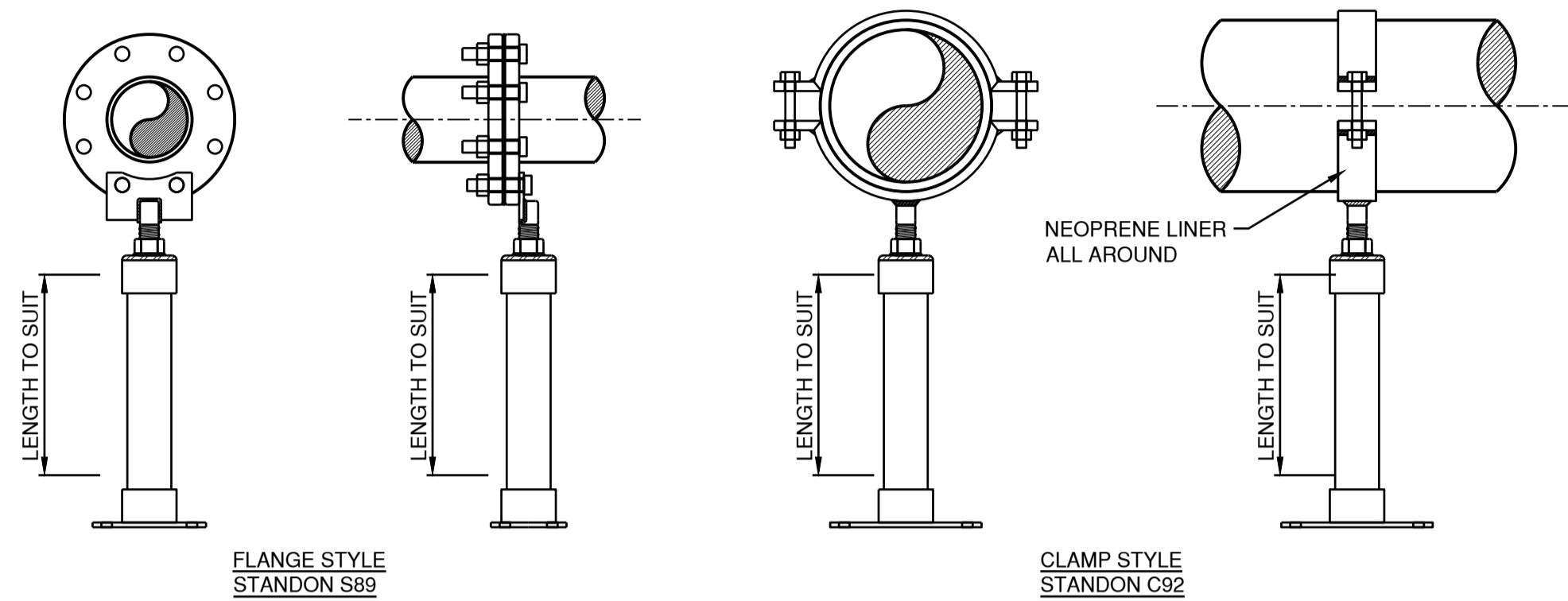
SCALE 1:5000

DRAWING INDEX				
SHEET #	DWG. TITLE	STREET	LOCATION	RFB DWG. No.
	COVER SHEET			
01	PRV - PLAN AND SECTION	FALCON DR	AT GUILDFORD WAY	25-0749-PRV1-1
02	PRV - DETAILS	FALCON DR	AT GUILDFORD WAY	25-0749-PRV1-2
03	PRV - PLAN AND SECTION	PINETREE WAY	1619 PINETREE WAY	25-0749-PRV2-1
04	PRV - DETAILS	PINETREE WAY	1619 PINETREE WAY	25-0749-PRV2-2

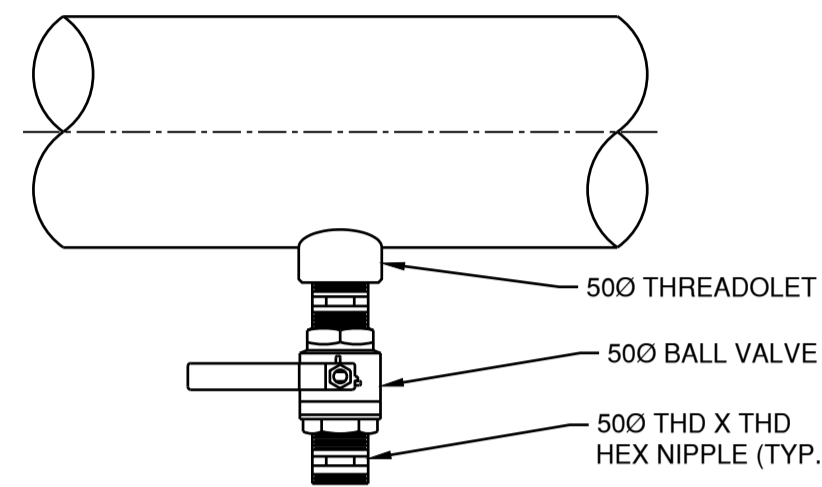
BINNIE
The people behind your infrastructure.

R.F. BINNIE & ASSOCIATES LTD.
300 - 4940 Canada Way,
Burnaby, BC V5G 4K6
TEL 604 420 1721
BINNIE.com

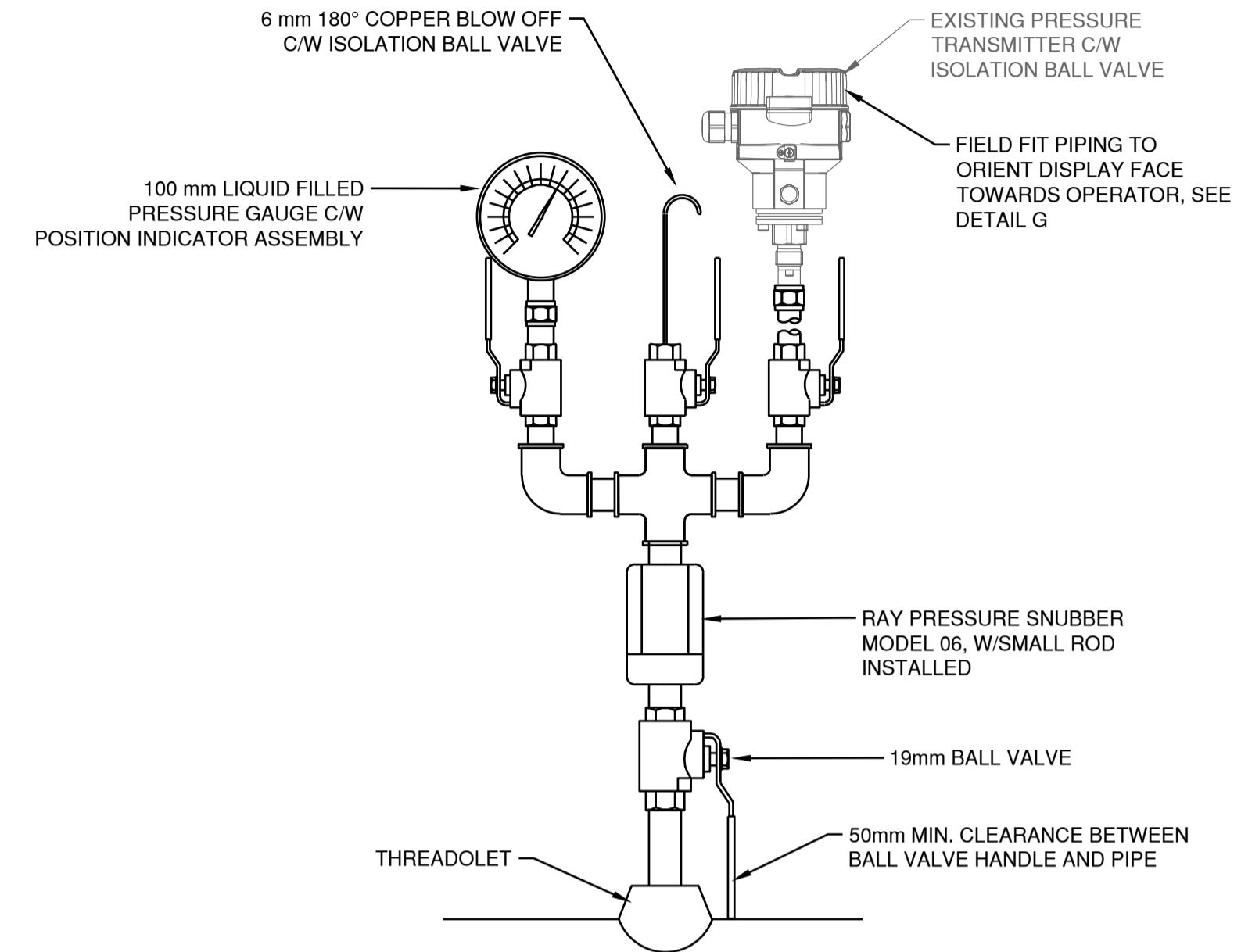




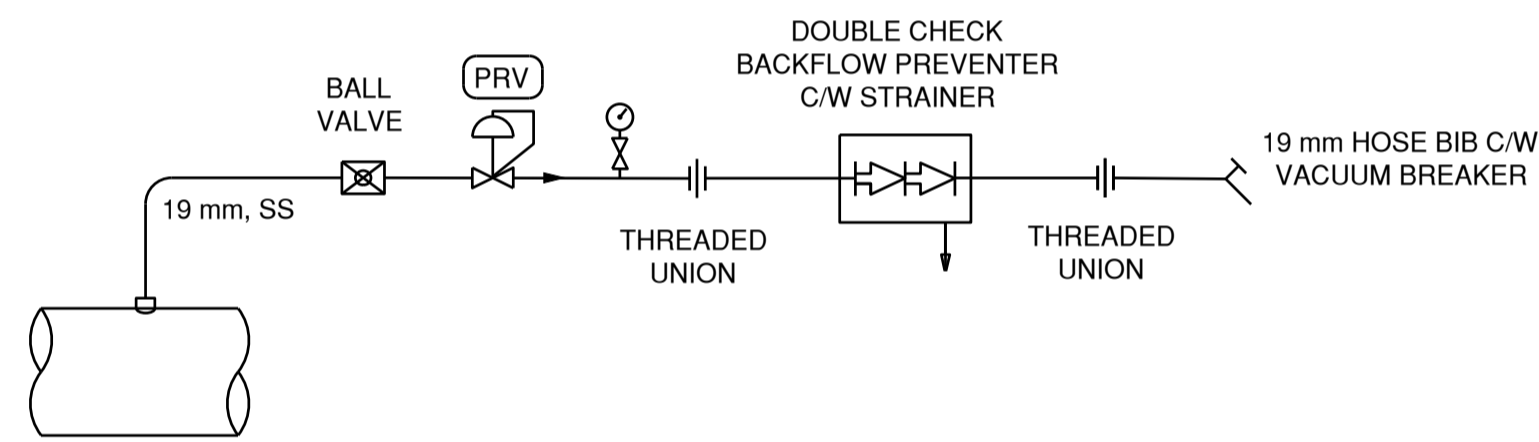
TYPICAL ADJUSTABLE PIPE STANDS (A) 01
Scale: NTS



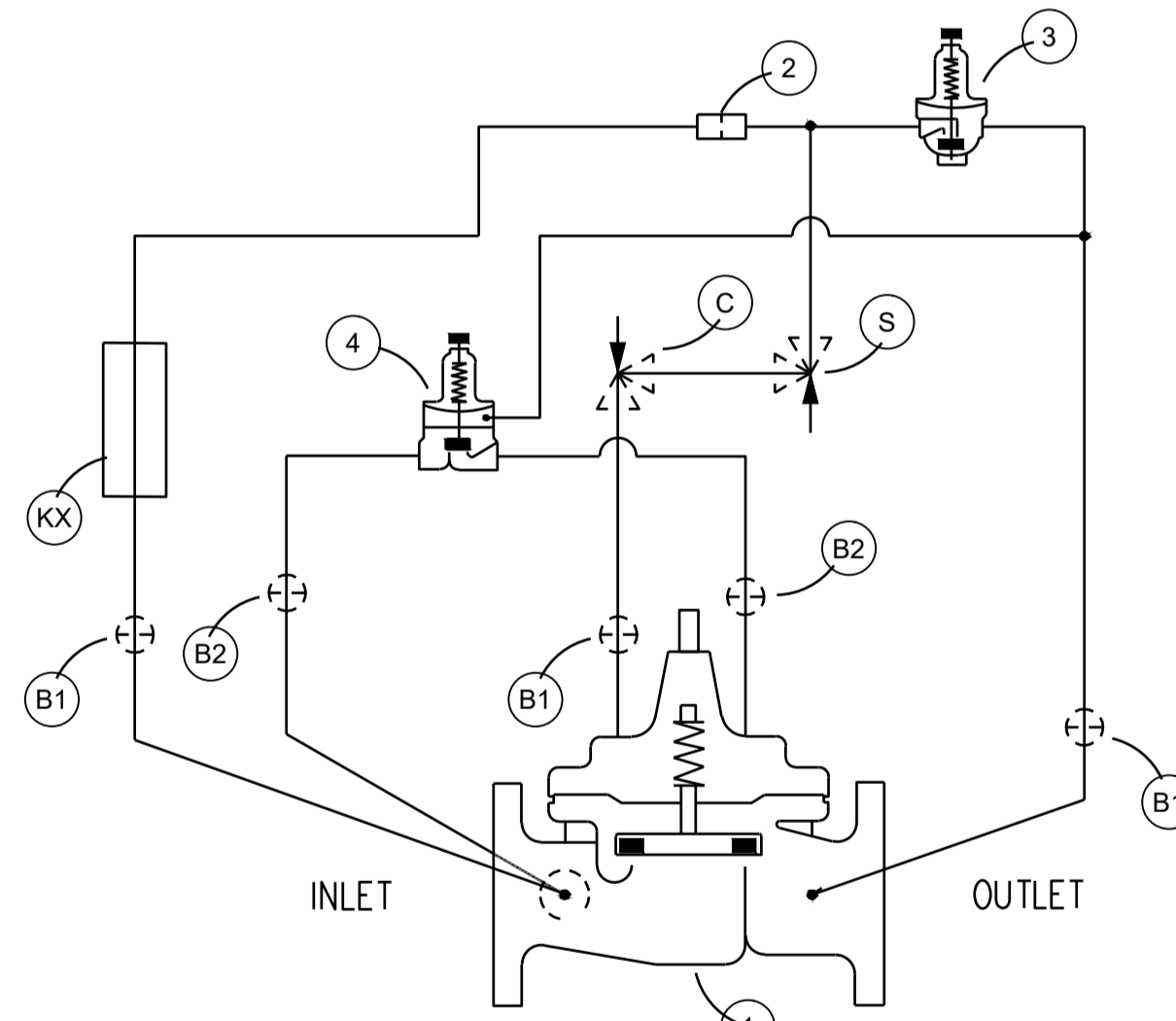
DRAIN LINE ASSEMBLY DETAIL (B) 01
Scale: NTS



PRESSURE GAUGE ASSEMBLY DETAIL (C) 01
Scale: NTS

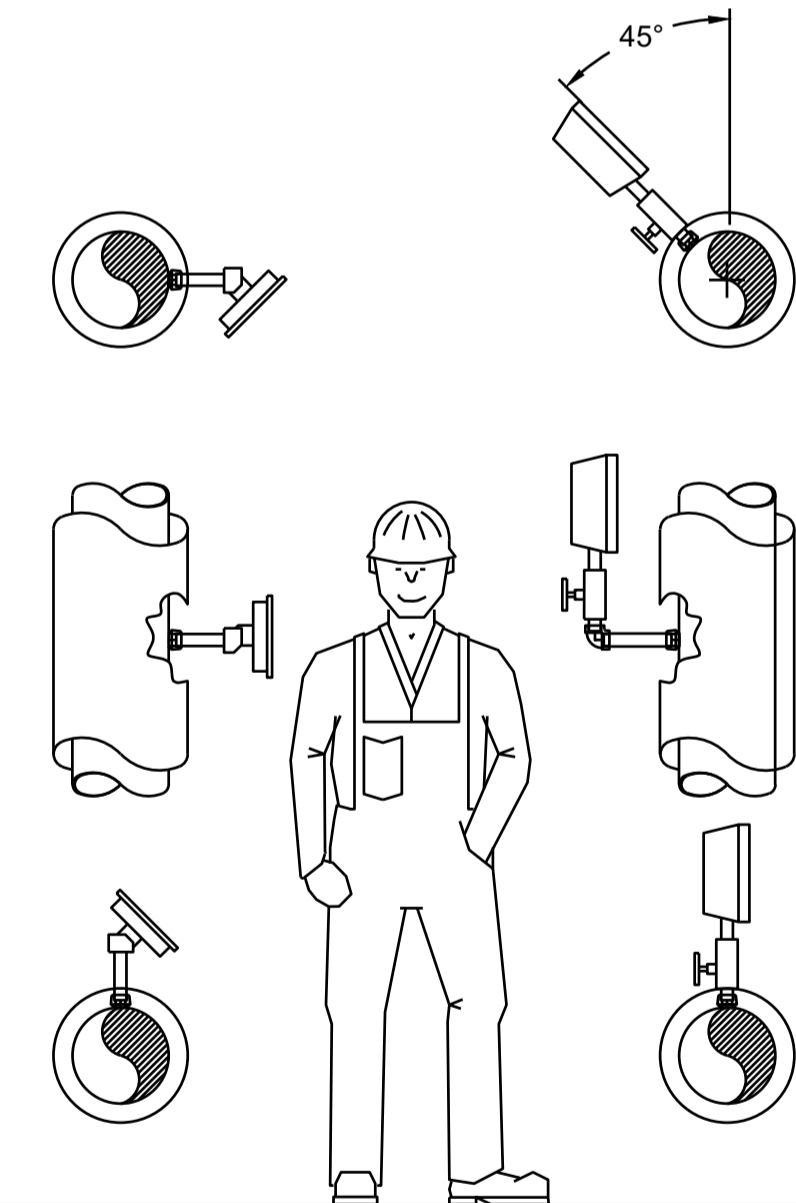


PLUMBING SCHEMATIC (D) 01
Scale: NTS

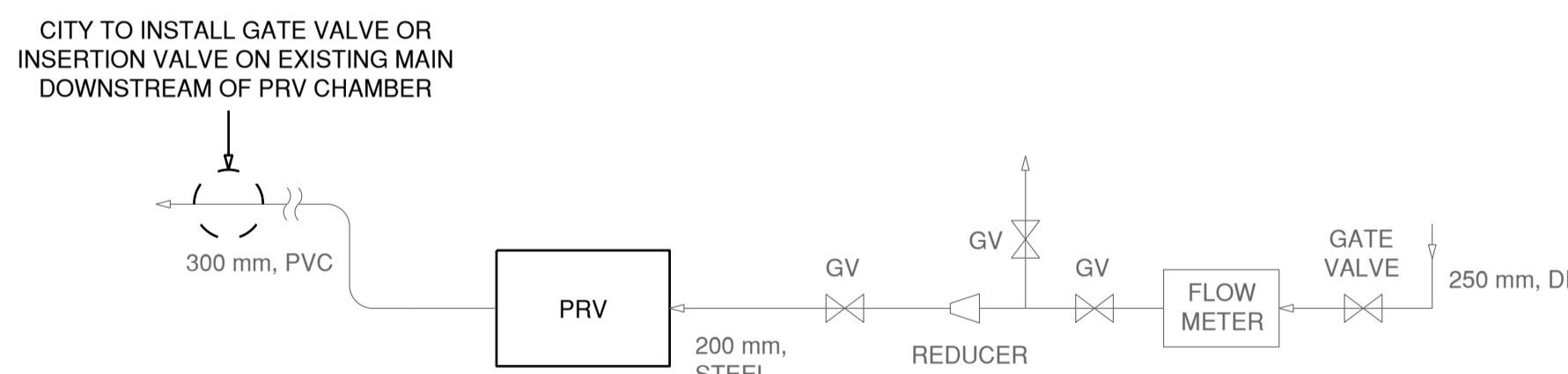


PRESSURE REDUCING VALVE PILOTING SCHEMATIC (F) 01
Scale: NTS

- ITEMS:
- 100-01 HYTROL (94-01) MAIN VALVE / 100-20 HYTROL (694-01) MAIN VALVE - QTY 1
 - X58A RESTRICTION ASSEMBLY - QTY 1
 - CRD PRESSURE REDUCING CONTROL - QTY 1
 - CRL/CRL60 PRESSURE RELIEF CONTROL (REV. FLOW) - QTY 1
 - CK2 COCK (SST INSULATION VALVE) - QTY 6
 - CV FLOW CONTROL (CLOSING) - QTY 1
 - CV FLOW CONTROL (OPENING) - QTY 1
 - ARION STRAINER - QTY 1
- NOTES:
- PRESSURE REDUCING VALVE WITH DOWNSTREAM SURGE CONTROL
 - ITEM B2 IS CONNECTED TO BACK SIDE OF VALVE
 - SST TUBE AND FITTINGS
 - SST ISOLATING VALVES



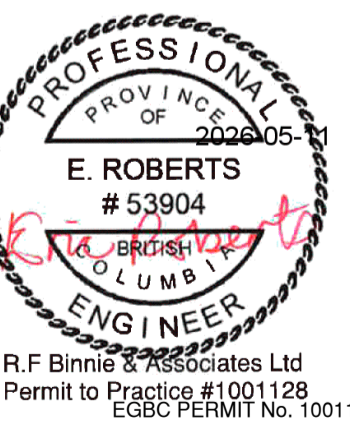
GAUGE INSTALLATION ORIENTATION (G) 01
Scale: NTS



SCHEMATIC DIAGRAM (E) -
Scale: NTS

AS SHOWN

DISCLAIMER: This drawing must not be reproduced without the written permission of R.F. Binnie & Associates Ltd. This drawing is not to be used for construction unless it is stamped "ISSUED FOR CONSTRUCTION" and signed by R.F. Binnie & Associates Ltd. It is the contractor's responsibility to ensure that he is in possession of the latest revision of this drawing.



R.F. Binnie & Associates Ltd
Permit to Practice #1001128
EGBC PERMIT No. 1001128

NOT FOR CONSTRUCTION

Edge of pavement	Hydrant	Sanitary service	Hydro Guy Wire
Watermain and valve	Water air valve	Sanitary cleanout	Hydro Kiosk
Drainage sewer, MH	Water blowoff	Utility pole (joint pole)	Vegetation Canifer
Drainage ditch	Water service	Utility pole with light	Vegetation Deciduous
Sanitary sewer, MH	Catch basin, top inlet	Streetlight, down	Vegetation Shrub
Sanitary forcemain	Catch basin, side inlet	Streetlight, post top	Survey Traverse Hub
Gasmain and valve	Catch basin, round	Comb signal pole	Survey Iron Pin
Hydro duct, MH	Drainage service	Traffic signal pole	Survey Lead Plug
Telephone duct, MH	Drainage cleanout	Junction box	Survey Monument

No.	Date	By	Revisions
1	2026-05-07	ES	ISSUED FOR TENDER
2	2026-04-01	AY	ISSUED FOR 90% DESIGN
3	2026-01-13	LV	PRELIMINARY DESIGN

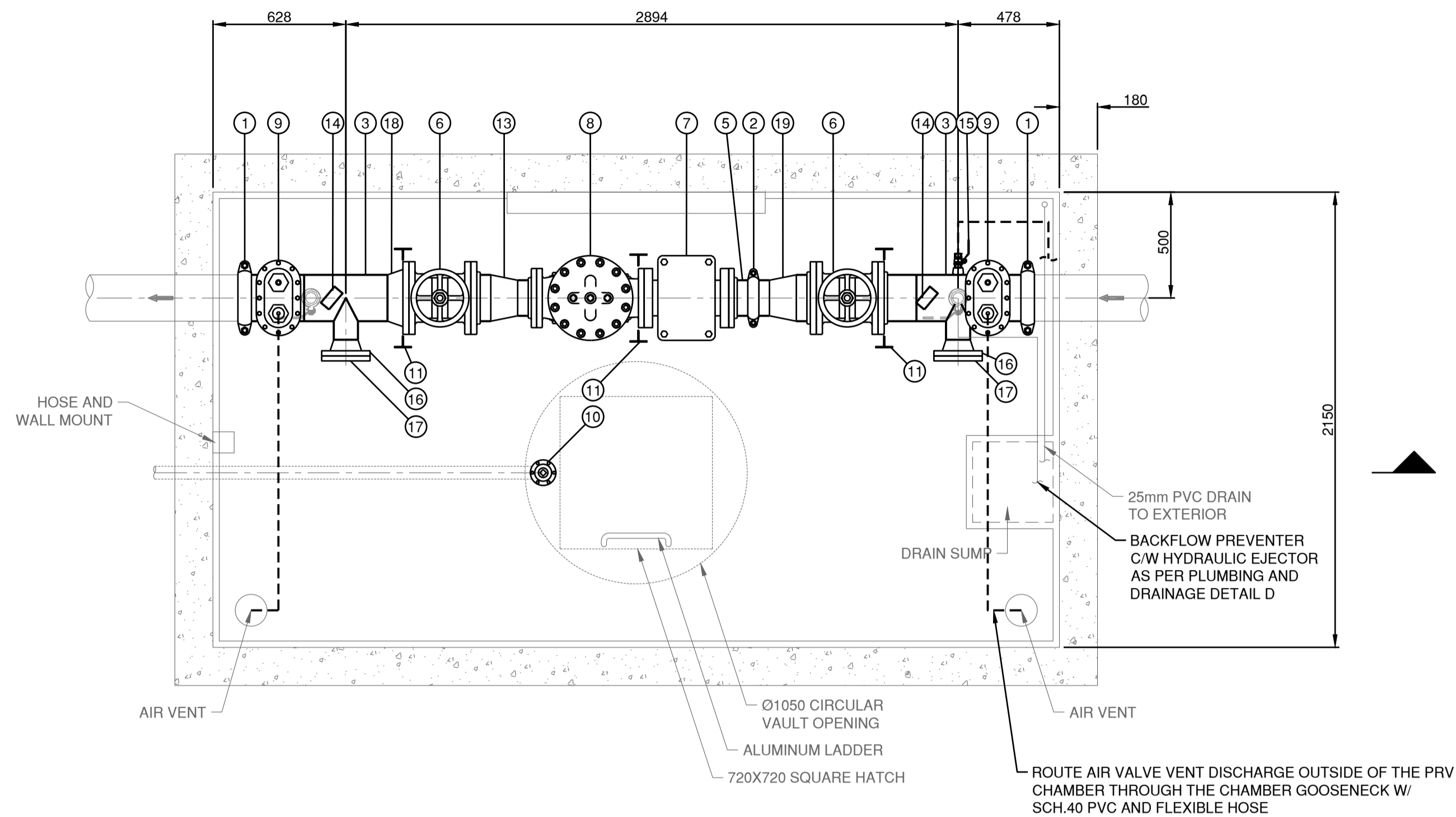
Design by	Date
ES	2026-03-13
Drawn by	Date
LV	2026-03-13
Checked by	Date
ER	2026-03-13
Approved by	Date
TB	2026-03-12

BINNIE
The people behind your infrastructure.
TEL 604 420 1721 BINNIE.com

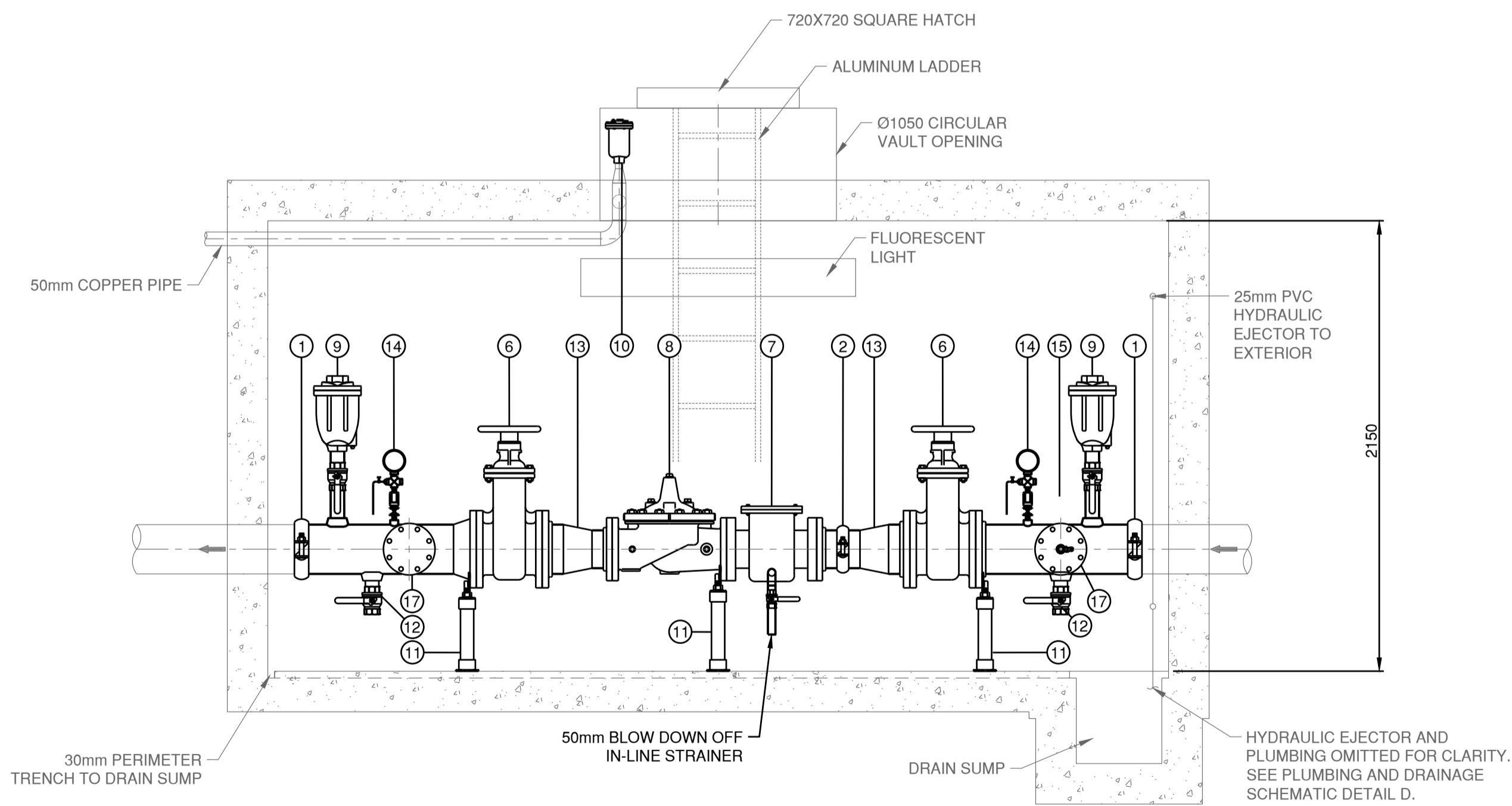
Coquitlam
Engineering & Public Works
3000 Guildford Way, Coquitlam, B.C. V3B 7N2

Scale AS SHOWN Scale AS SHOWN
Sheet 02 of 04
Eng. Project No. 25-0749

Project FALCON DR AT GUILDFORD WAY
Description PRV - DETAILS
File: 25-0749-PRV1-2
REV. 1



PRV CHAMBER - PLAN VIEW
Scale: 1:20



PRV CHAMBER - LONGITUDINAL SECTION
Scale: 1:20

- NOTES:**
- DESIGN PRESSURE 1726 kPA (250 PSI), TEST PRESSURE = 1.5 x DESIGN PRESSURE
 - ALL DIMENSIONS SHOWN HERE ARE TAKEN FROM OLD AS CONSTRUCTED DRAWINGS. THE CONTRACTOR IS TO PERFORM SITE MEASUREMENTS TO SATISFY THEMSELVES OF THE ACTUAL SITE CONDITIONS AND EXISTING EQUIPMENT
 - EXISTING PIPE AND EQUIPMENT SHOWN GREY (TO BE RETAINED). NEW PIPE AND EQUIPMENT SHOWN BLACK
 - PIPE ROUTING, FITTINGS, AND CONNECTIONS ARE SHOWN HERE AS A GENERAL GUIDE. CONTRACTOR IS TO SIZE AND FIT PIPE AS NEEDED TO FIT THE EXISTING CONDITIONS AND AVAILABLE CONNECTIONS

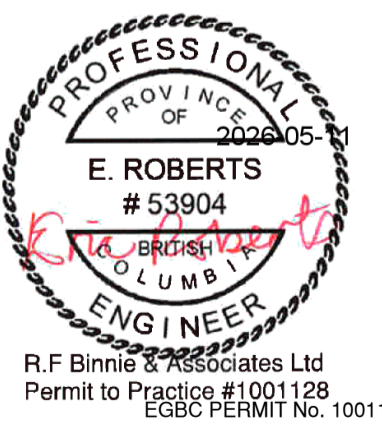
BILL OF MAJOR MATERIALS	
ITEM	DESCRIPTION
1	200 DIA VIC. NO. 77 FLEXIBLE GROOVED COUPLING
2	150 DIA VIC. NO. 07 RIGID GROOVED COUPLING
3	200X200X100 DIA CS PIPE SPOOL, GE X FL X FL, OAL AS REQ'D, THREAD-O-LETS AND WELD-O-LETS AS REQ'D
4	INTENTIONALLY LEFT BLANK
5	150 DIA CS PIPE SPOOL, FL X GE, OAL AS REQ'D, THREAD-O-LETS AS REQ'D
6	200 DIA GATE VALVE, FL X FL
7	150 DIA DUCTILE IRON BODY IN-LINE STRAINER, FL X FL, C/W 50 DIA BLOW DOWN
8	150 DIA DUCTILE IRON BODY, PILOT OPERATED PRESSURE REDUCING VALVE, FL X FL
9	50 DIA DUCTILE IRON BODY, COMBINATION AIR VALVE, NPT
10	25 DIA DUCTILE IRON BODY, AIR RELEASE VALVE, FL, C/W DRAIN PORT
11	PIPE SUPPORT, FLANGE STYLE, [SEE DETAIL A, SHEET 4]
12	50 DIA SS BODY, DRAIN LINE VALVE ASSEMBLY, NPT X NPT, [SEE DETAIL B, SHEET 4]
13	200X150 DIA CS PIPE SPOOL, FL X FL, OAL AS REQ'D
14	PRESSURE GAUGE ASSEMBLY (TYP. 2) [SEE DETAIL C, SHEET 4]
15	19 DIA HOSE BIB C/W VACUUM BREAKER AND HYDRAULIC EJECTOR [SEE DETAIL D, SHEET 4]
16	100 DIA WELD NECK FLANGE
17	100 DIA BLIND FLANGE
18	200 DIA WELD NECK FLANGE
19	200X150 DIA CS PIPE SPOOL, GE X FL, OAL AS REQ'D

DESIGN PARAMETERS:	
UPSTREAM HGL AT NOONS CREEK EAST ZONE	290 m
DOWNSTREAM HGL AT SCOTT CREEK ZONE	230 m
PRV PRESSURE DROP	60 m
PRV PIPE ELEVATION	185.9 m
OPERATING PRESSURE	104.1 m
PRV OPEN SETPOINT (150 mm)	37.3 m
PRV CLOSE SETPOINT (150 mm)	44.4 m
PRV DESIGN FLOW	113.0 L/s

NOTE: INFORMATION IS A RECORD OF EXISTING OPERATING CONDITIONS. BINNIE DOES NOT ACCEPT RESPONSIBILITY FOR THIS PORTION OF THE DESIGN.

AS SHOWN

DISCLAIMER:
This drawing must not be reproduced without the written permission of R.F. Binnie & Associates Ltd.
This drawing is not to be used for construction unless it is stamped "ISSUED FOR CONSTRUCTION" and signed by R.F. Binnie & Associates Ltd. It is the contractor's responsibility to ensure that he is in possession of the latest revision of this drawing.



R.F. Binnie & Associates Ltd
Permit to Practice #1001128
EGBC PERMIT No. 1001128

NOT FOR CONSTRUCTION

Edge of pavement	Hydrant	Sanitary service	Hydro Guy Wire
Watermain and valve	Water air valve	Sanitary cleanout	Hydro Kiosk
Drainage sewer, MH	Water blowoff	Utility pole(joint pole)	Vegetation Canister
Drainage ditch	Water service	Utility pole with light	Vegetation Deciduous
Sanitary sewer, MH	Catch basin, top inlet	Streetlight, dovit	Vegetation Shrub
Sanitary forcemain	Catch basin, side inlet	Streetlight, post top	Survey Traverse Hub
Gasmain and valve	Catch basin, round	Comb signal pole	Survey Iron Pin
Hydro duct, MH	Drainage service	Traffic signal pole	Survey Lead Plug
Telephone duct, MH	Drainage cleanout	Junction box	Survey Monument

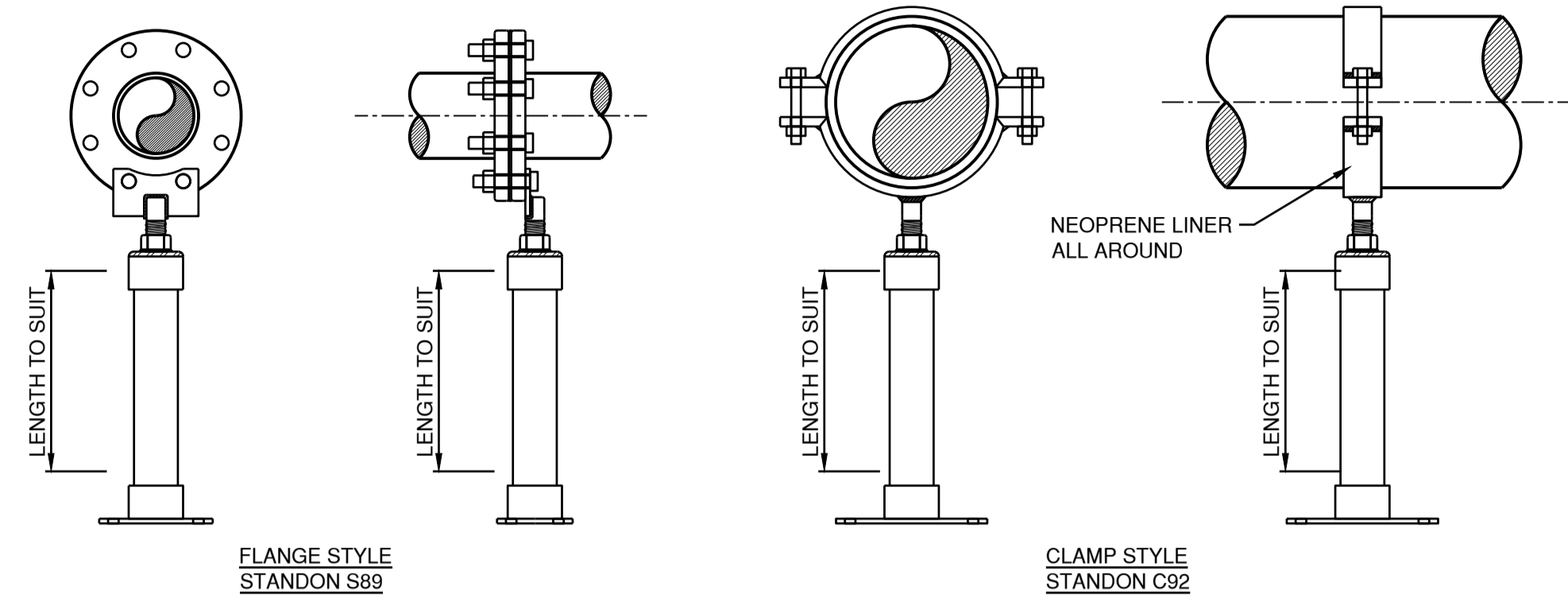
No.	Date	By	Revisions
2	2026-05-07	ES	ISSUED FOR TENDER
1	2026-04-01	AY	ISSUED FOR 90% DESIGN
0	2026-01-13	LV	PRELIMINARY DESIGN

Design by	Date
ES	2026-03-13
Drawn by	Date
LV	2026-03-13
Checked by	Date
ER	2026-03-13
Approved by	Date
TB	2026-03-12

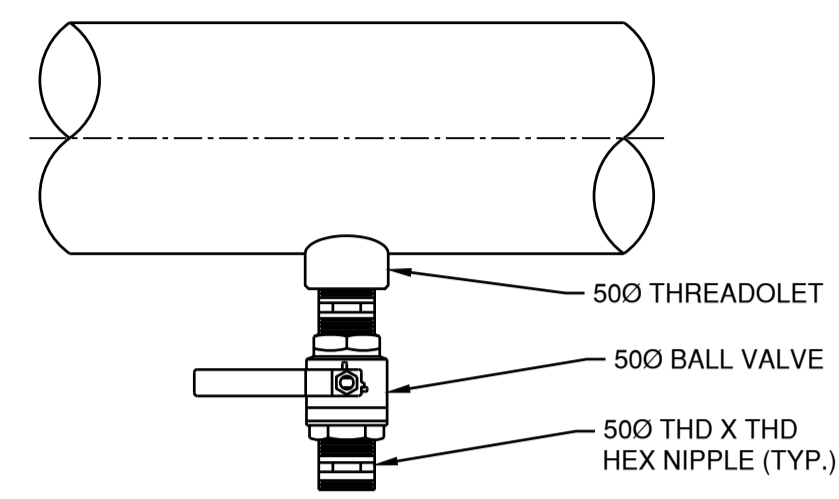


Scale AS SHOWN	Scale AS SHOWN
horiz.	vert.
Sheet 03	of 04
Eng. Project No.	25-0749

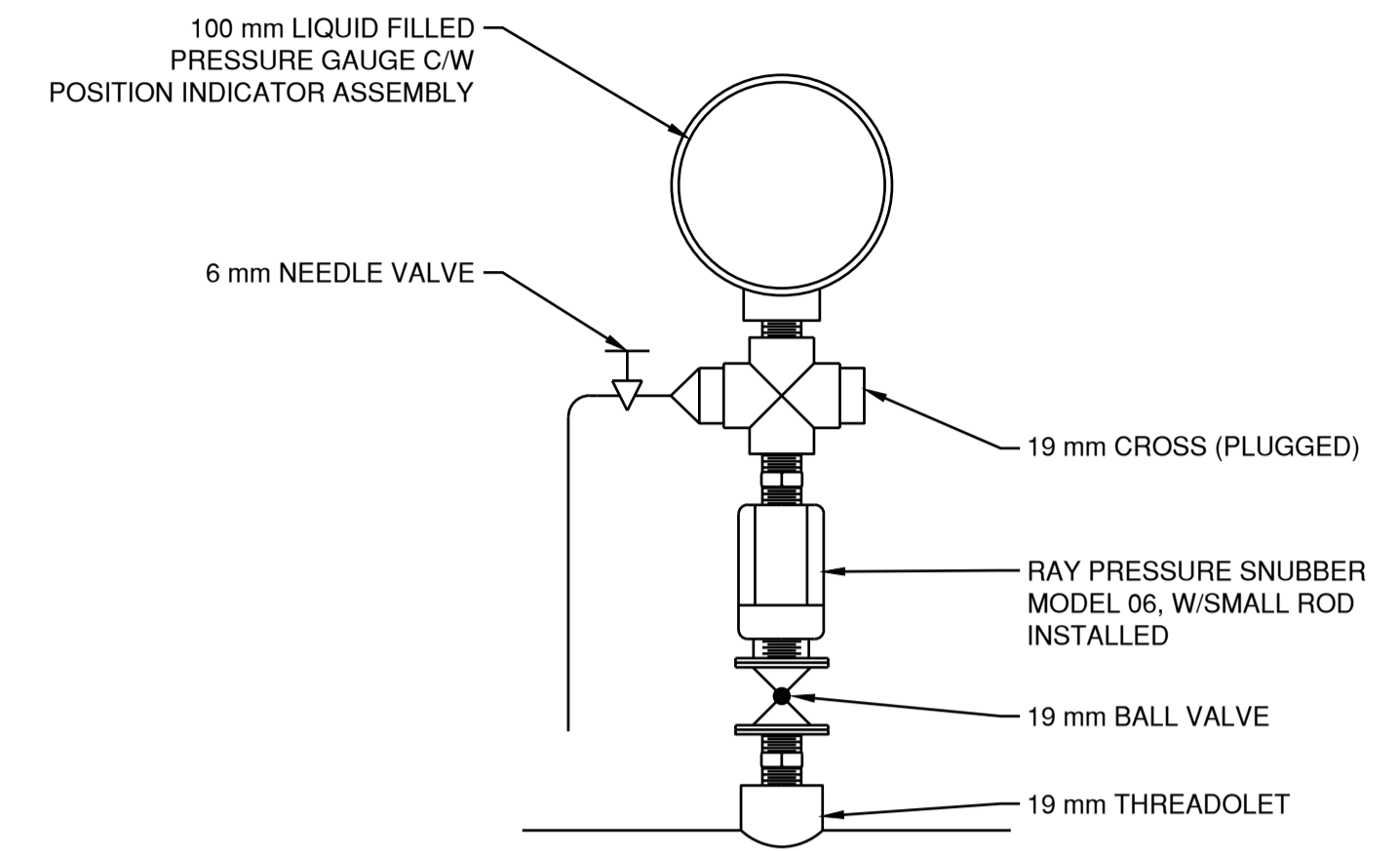
Project	PINETREE WAY
	1619 PINETREE WAY
Description	PRV - PLAN AND SECTION
File:	25-0749-PRV2-1
REV.	1



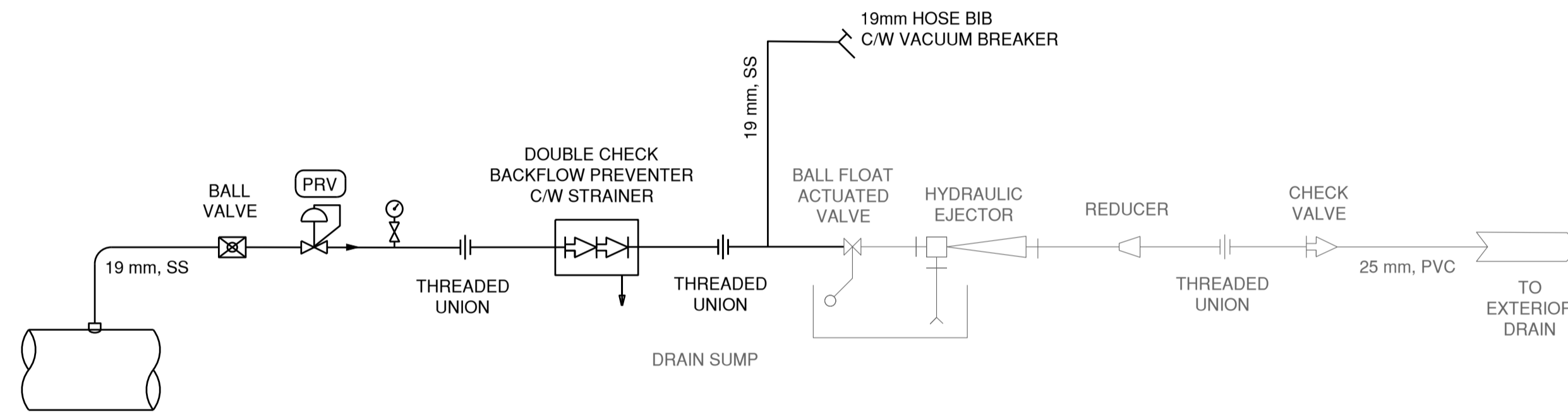
TYPICAL ADJUSTABLE PIPE STANDS (A) 03
Scale: NTS



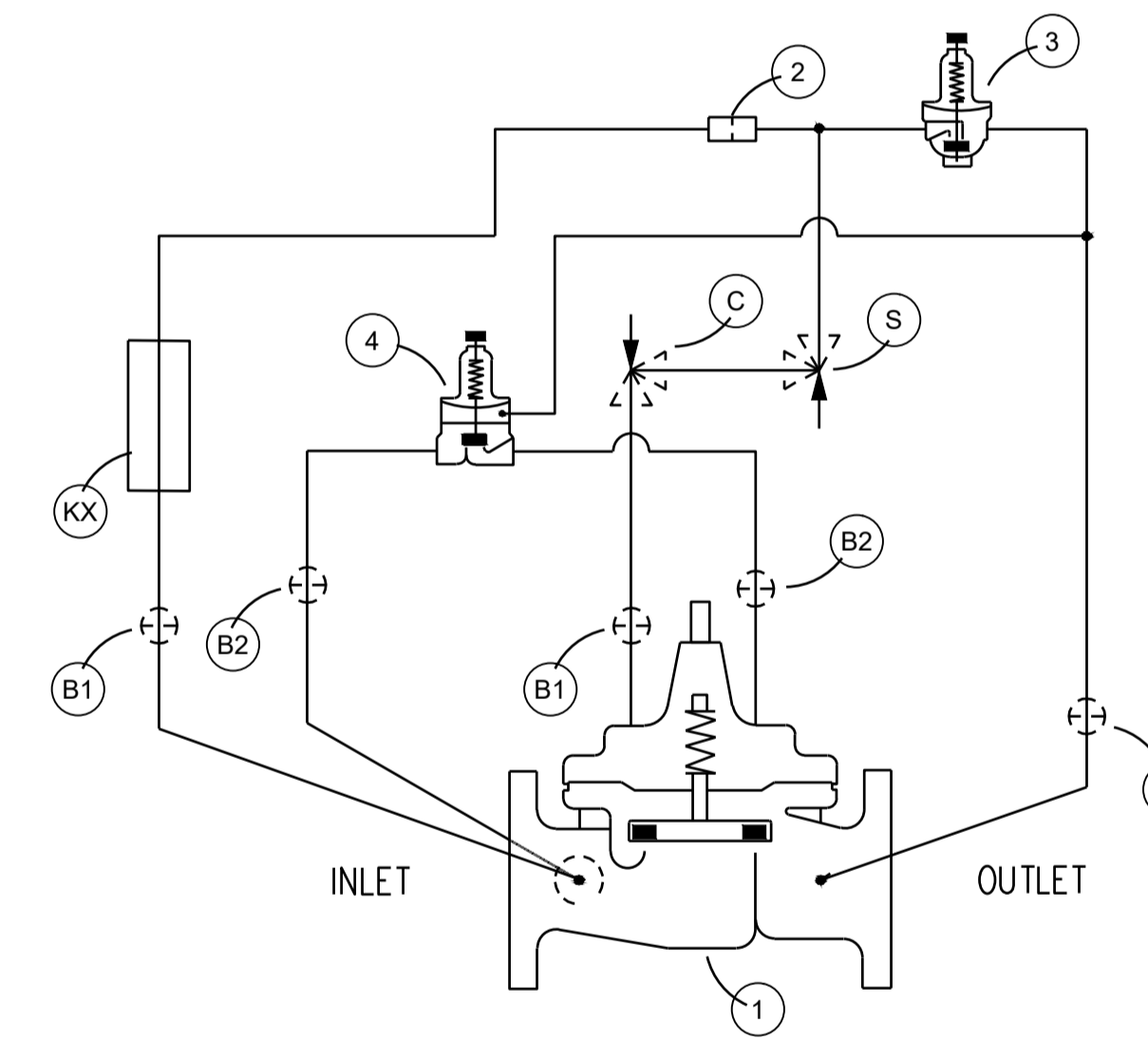
DRAIN LINE ASSEMBLY DETAIL (B) 03
Scale: NTS



PRESSURE GAUGE ASSEMBLY DETAIL (C) 03
Scale: NTS



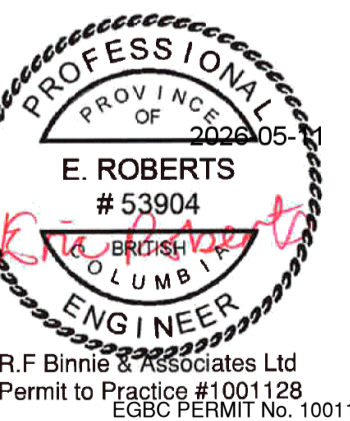
PLUMBING AND DRAINAGE SCHEMATIC (D) 03
Scale: NTS



PRESSURE REDUCING VALVE PILOTING SCHEMATIC (E) 03
Scale: NTS

- ITEMS:**
- 100-01 HYTROL (94-01) MAIN VALVE / 100-20 HYTROL (694-01) MAIN VALVE - QTY 1
 - X58A RESTRICTION ASSEMBLY - QTY 1
 - CRD PRESSURE REDUCING CONTROL - QTY 1
 - CRL/CRL60 PRESSURE RELIEF CONTROL (REV. FLOW) - QTY 1
 - CK2 COCK (SST INSULATION VALVE) - QTY 6
 - CV FLOW CONTROL (CLOSING) - QTY 1
 - CV FLOW CONTROL (OPENING) - QTY 1
 - XP2F FLOW METERING PACKAGE - QTY 1
- NOTES:**
- PRESSURE REDUCING VALVE WITH DOWNSTREAM SURGE CONTROL
 - ITEM B2 IS CONNECTED TO BACK SIDE OF VALVE
 - SST TUBE AND FITTINGS
 - SST ISOLATING VALVES

PINETREE PRV TO INCLUDE XP2F-CV35 FLOW METERING PACKAGE C/W STANDARD BATTERY



R.F. Binnie & Associates Ltd
Permit to Practice #1001128
EGBC PERMIT No. 1001128

NOT FOR CONSTRUCTION

AS SHOWN

DISCLAIMER:
This drawing must not be reproduced without the written permission of R.F. Binnie & Associates Ltd.
This drawing is not to be used for construction unless it is stamped "ISSUED FOR CONSTRUCTION" and signed by R.F. Binnie & Associates Ltd. It is the contractor's responsibility to ensure that he is in possession of the latest revision of this drawing.

Edge of pavement	Hydrant	Sanitary service	Hydro Guy Wire
Watermain and valve	Water air valve	Sanitary cleanout	Hydro Kiosk
Drainage sewer, MH	Water blowoff	Utility pole (joint pole)	Vegetation Canister
Drainage ditch	Water service	Utility pole with light	Vegetation Deciduous
Sanitary sewer, MH	Catch basin, top inlet	Streetlight, down	Vegetation Shrub
Sanitary forcemain	Catch basin, side inlet	Streetlight, post top	Survey Traverse Hub
Gasmain and valve	Catch basin, round	Comb signal pole	Survey Iron Pin
Hydro duct, MH	Drainage service	Traffic signal pole	Survey Lead Plug
Telephone duct, MH	Drainage cleanout	Junction box	Survey Monument

No.	Date	By	Revisions
3	2026-05-07	ES	ISSUED FOR TENDER
2	2026-04-07	ES	ISSUED FOR 90% DESIGN (REVISED FOR PRV PILOTING)
1	2026-04-01	AY	ISSUED FOR 90% DESIGN
0	2026-01-13	LV	PRELIMINARY DESIGN

Design by	Date
ES	2026-03-13
Drawn by	Date
LV	2026-03-13
Checked by	Date
ER	2026-03-13
Approved by	Date
TB	2026-03-12

BINNIE
The people behind your infrastructure.
TEL 604 420 1721 BINNIE.com

Coquitlam
Engineering & Public Works
3000 Guildford Way, Coquitlam, B.C. V3B 7N2

Scale AS SHOWN Scale AS SHOWN
Sheet 04 of 04
Eng. Project No. 25-0749

Project PINETREE WAY
1619 PINETREE WAY
Description PRV - DETAILS
File: 25-0749-PRV2-2
Rev. 1